



TRANSOM SIGNS

MAIN STREET IOWA TECHNOTES

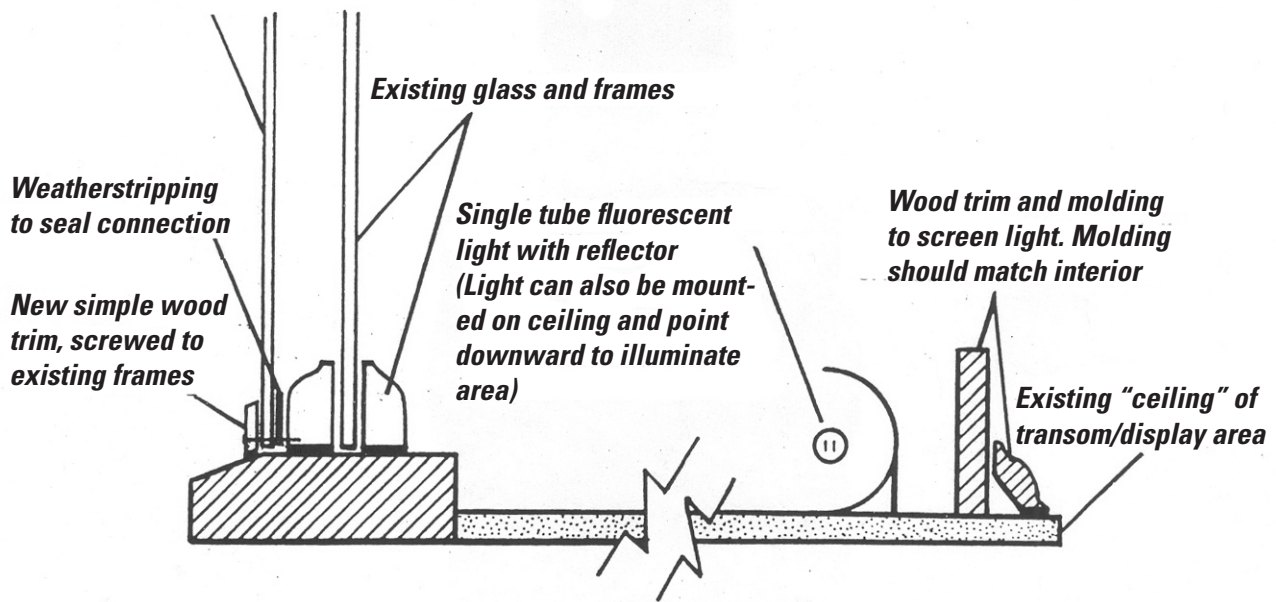
illuminating a transom sign, regardless of the type of transom sign being used, is highly recommended. A single tube fluorescent light, running the entire length of the transom, can be very effective. A small wood board with trim to match interior decor should be then

used to screen light from interior view.

A sign painted directly onto the transom glass, whether the original glass or new glass, is the recommended type of transom sign. If painting on the existing transom glass is not desirable, a plexiglas

sheet may be installed over the existing glass and anchored to the frames. (Plate glass may also be used.) This technique is similar to that used to protect and insulate stained glass windows in churches. The sign can then be painted on this additional plexiglass or plate glass.

Plate glass or plexiglass sign sheet



Transom Cross Section (Not to Scale)

